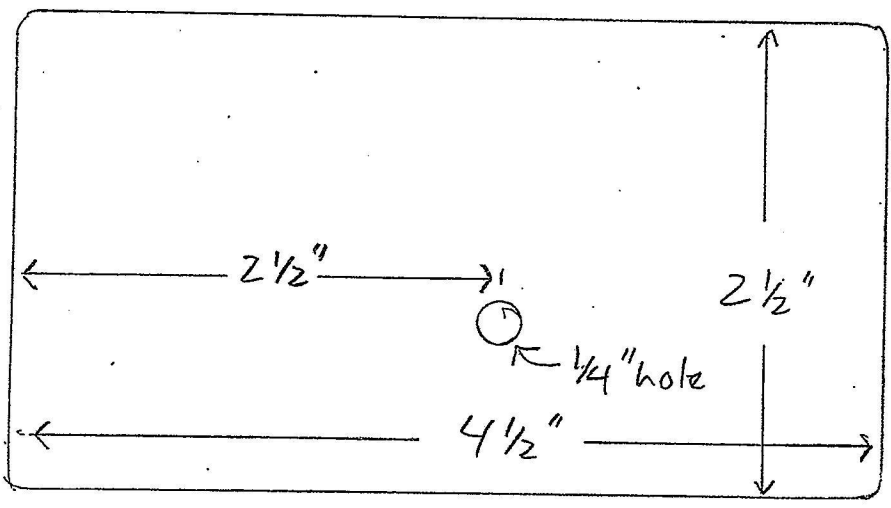


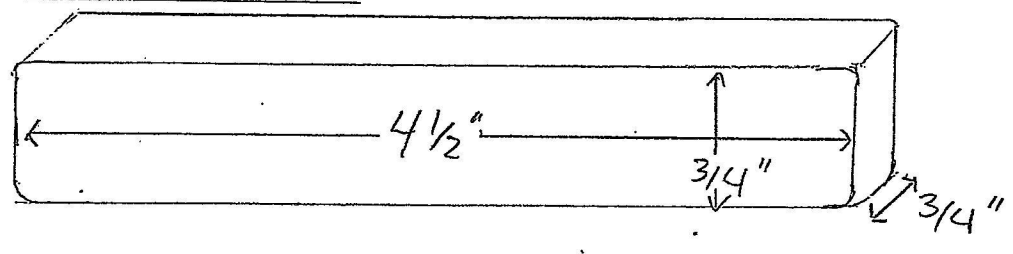
Labelling jig

Parts - drawn to scale

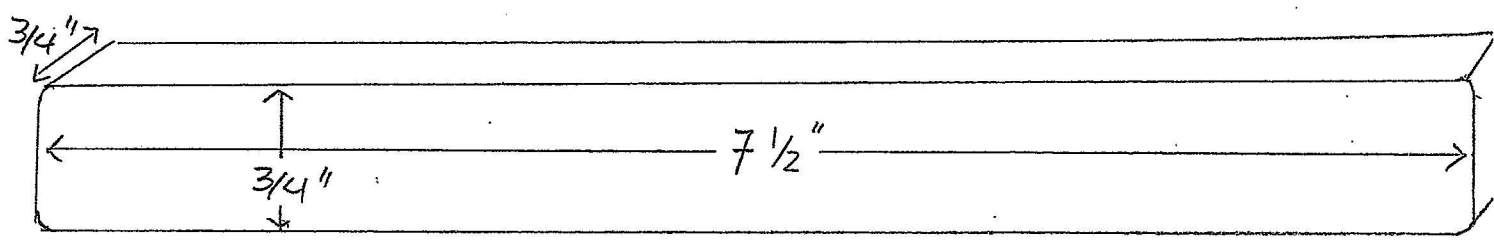
① slide base



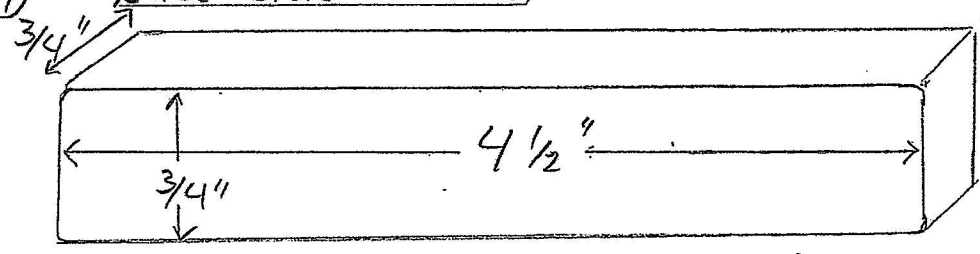
② slide retainer



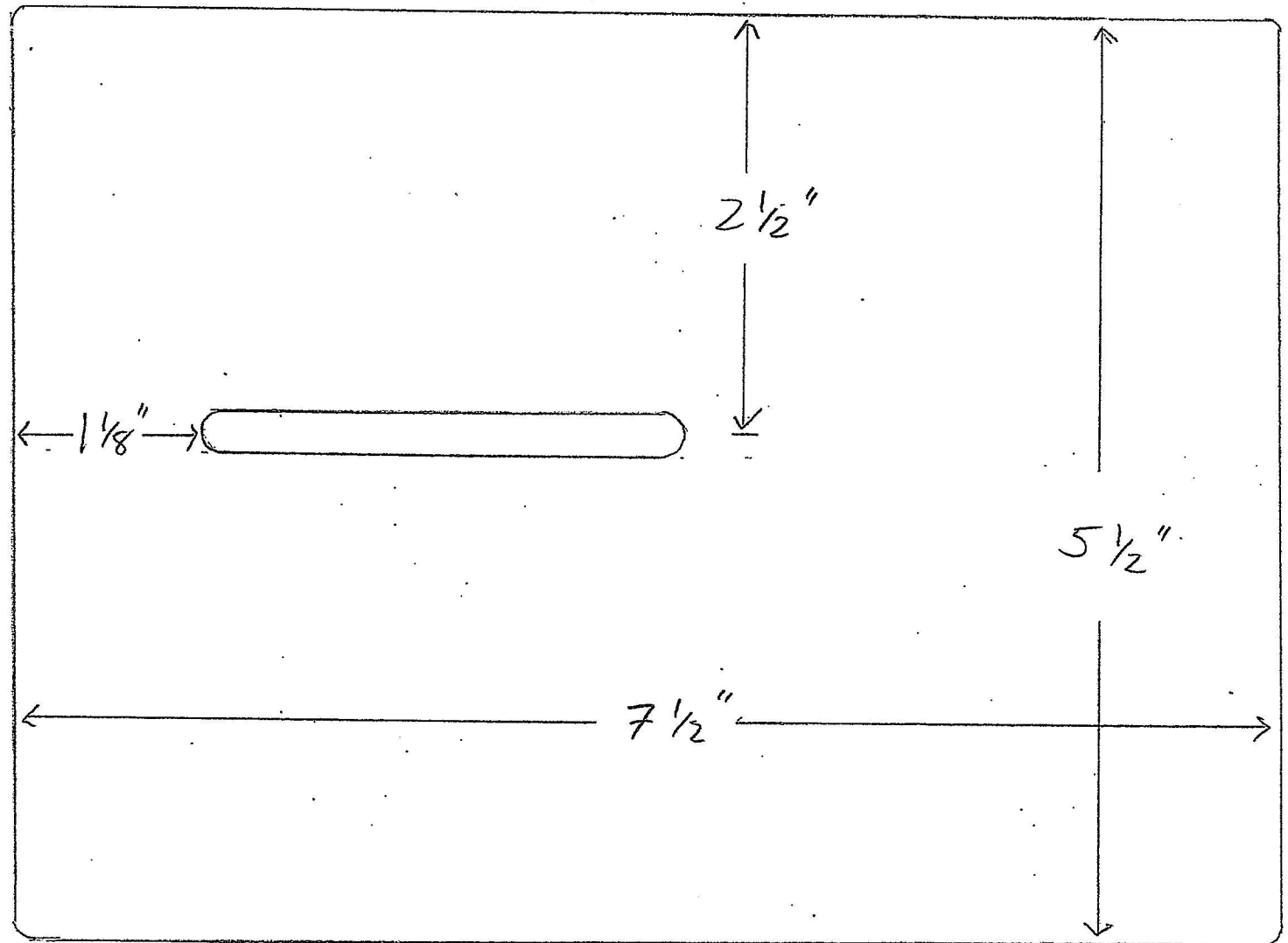
③ base bottom retainer



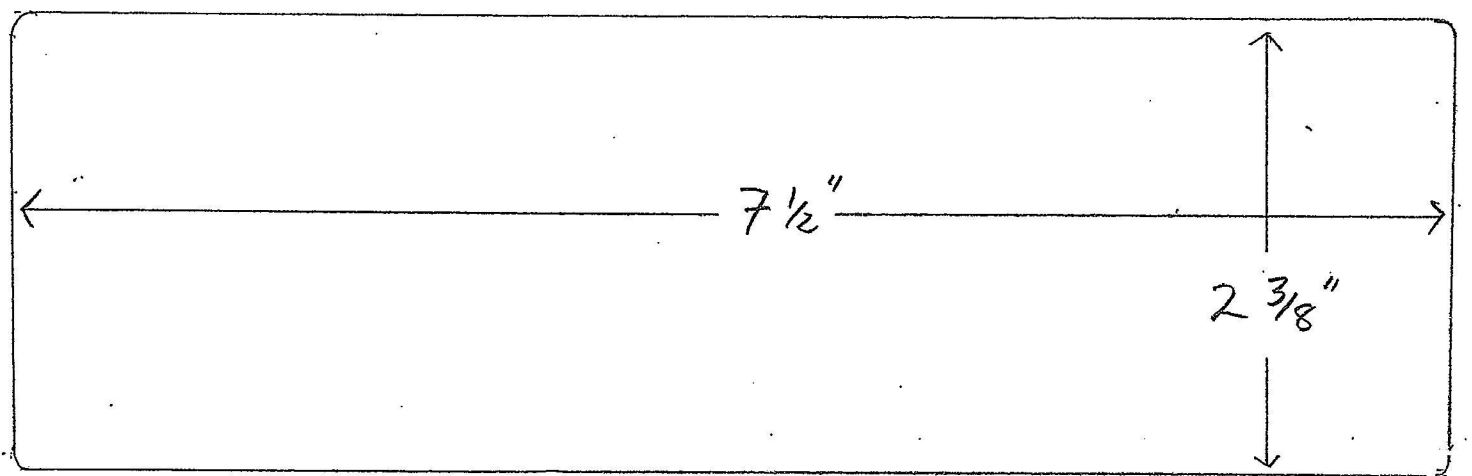
④ base side retainer



⑤ base



⑥ leg - front view



leg - end view

