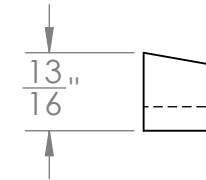
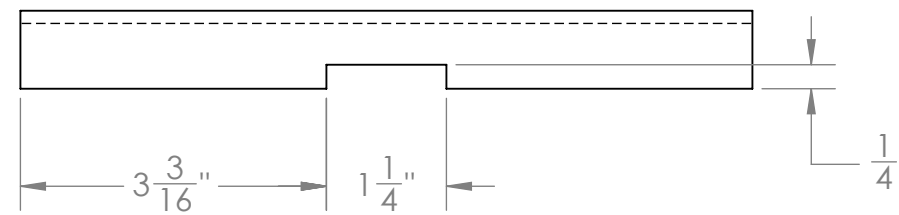
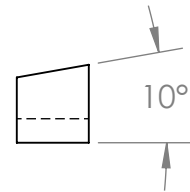
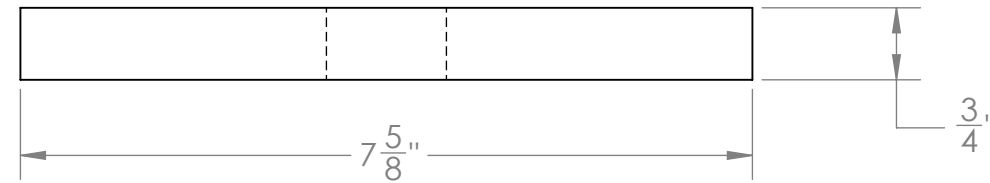
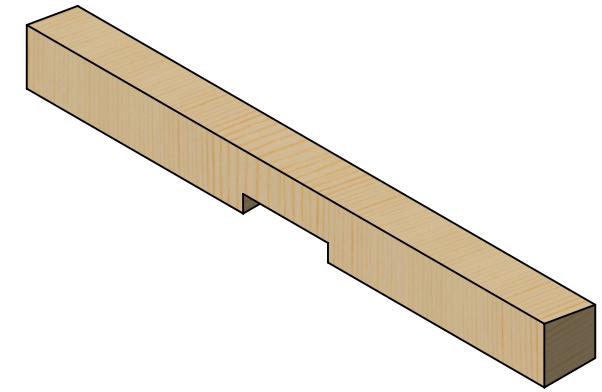


- NOTES:  
 1. MATERIAL: Pine  
 2. FINISH: NONE  
 3. REMOVE ALL SHARP EDGES



|             |     |                  |
|-------------|-----|------------------|
| 1100        | 01  | ENTRANCE REDUCER |
| PART NUMBER | REV | DESCRIPTION      |

UNLESS OTHERWISE SPECIFIED  
 DO NOT SCALE DRAWING  
 INTERPRET DIMENSIONS AND TOLERANCES  
 PER ASME Y14.5-2018  
 DIMENSIONS ARE IN INCHES

THIRD ANGLE PROJECTION



SolidWorks MAINTAINED DATA  
 CHANGES SHALL BE INCORPORATED  
 ELECTRONICALLY BY THE DESIGN ACTIVITY

**PROPRIETARY**  
 NO PART OF THIS DOCUMENT MAY BE REPRODUCED,  
 STORED IN A RETRIEVAL SYSTEM, OR TRANSMITTED IN  
 ANY FORM, WITHOUT WRITTEN PERMISSION.

CUSTOMER  
 BEE KEEPERS  
 PROJECT  
 HIVE PRODUCTS

|                          |                   |
|--------------------------|-------------------|
| DRAWN BY<br>F. FULKERSON | DATE<br>12/9/2023 |
| CHECKED BY<br>P.G. KELLY | DATE<br>12/9/2023 |
| APPROVED<br>P.G. KELLY   | DATE<br>12/9/2023 |



HONEY BEE RESEARCH CENTRE  
 THE UNIVERSITY OF GUELPH

TITLE  
**ENTRANCE REDUCER**

|                  |                    |                               |
|------------------|--------------------|-------------------------------|
| SIZE<br><b>B</b> | DRAWING NO.        | REVISION                      |
| SCALE<br>1:2     | WEIGHT<br>0.05 lbs | <b>1100</b> -<br>SHEET 1 OF 1 |