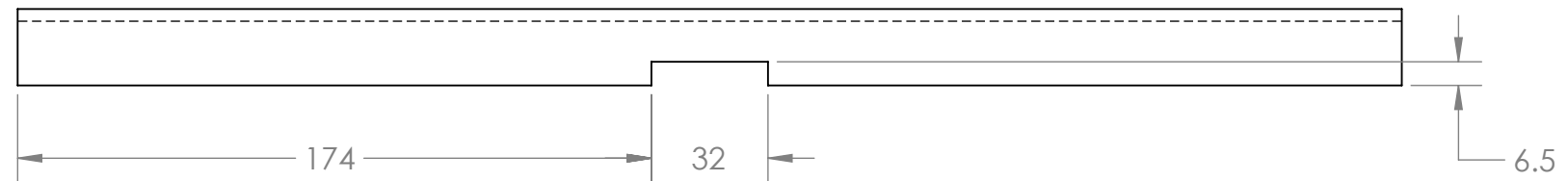
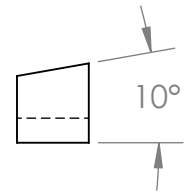
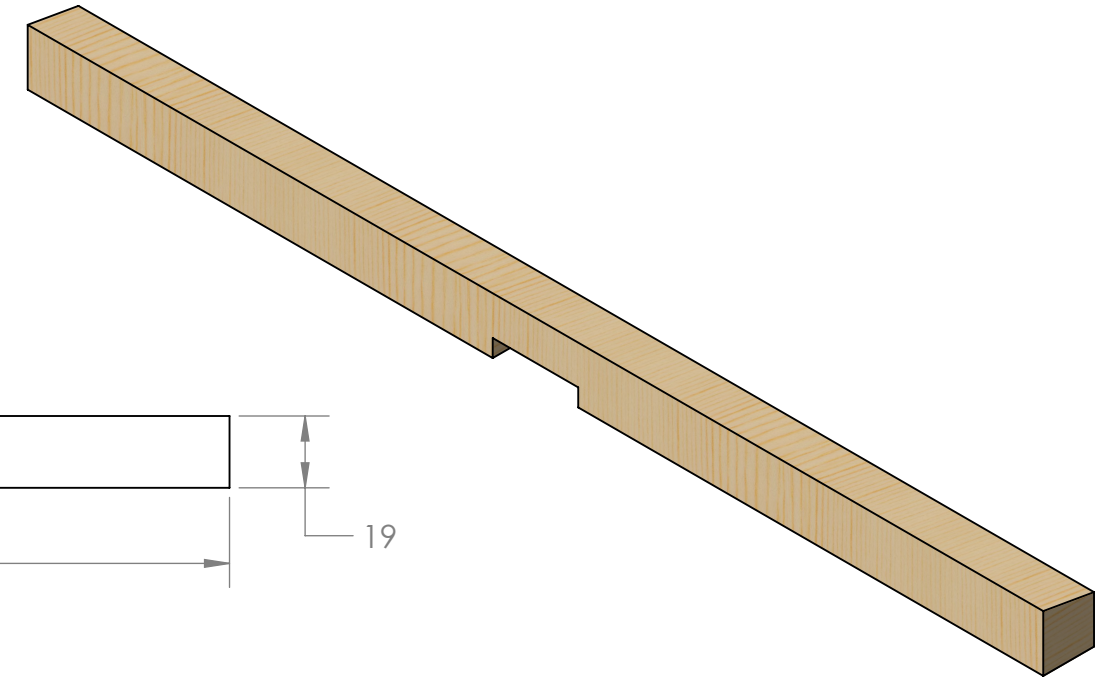


- NOTES:  
 1. MATERIAL: Pine.  
 2. FINISH: NONE.  
 3. REMOVE ALL SHARP EDGES.



1100M	01	ENTERANCE REDUCER
PART NUMBER	REV	DESCRIPTION

UNLESS OTHERWISE SPECIFIED  
 DO NOT SCALE DRAWING  
 INTERPRET DIMENSIONS AND TOLERANCES  
 PER ASME Y14.5-2018  
 DIMENSIONS ARE IN MILLIMETERS

THIRD ANGLE PROJECTION



SolidWorks MAINTAINED DATA  
 CHANGES SHALL BE INCORPORATED  
 ELECTRONICALLY BY THE DESIGN ACTIVITY

**PROPRIETARY**  
 NO PART OF THIS DOCUMENT MAY BE REPRODUCED,  
 STORED IN A RETRIEVAL SYSTEM, OR TRANSMITTED IN  
 ANY FORM, WITHOUT WRITTEN PERMISSION.

CUSTOMER  
 BEE KEEPERS  
 PROJECT  
 HIVE PRODUCTS

DRAWN BY F. FULKERSON	DATE 3/2/2024
CHECKED BY P.G. KELLY	DATE 3/2/2024
APPROVED P.G. KELLY	DATE 3/2/2024



HONEY BEE RESEARCH CENTRE  
 THE UNIVERSITY OF GUELPH

TITLE  
**ENTERANCE REDUCER**

SIZE <b>B</b>	DRAWING NO.	REVISION
SCALE 1:2	WEIGHT 46.10 g	SHEET 1 OF 1